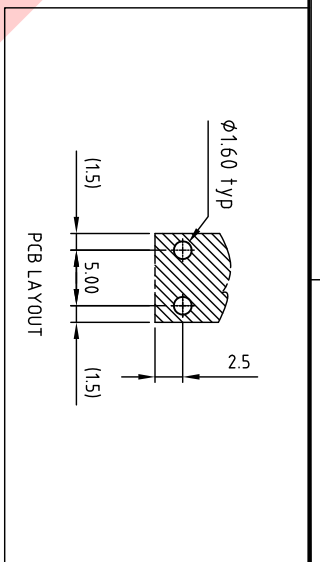
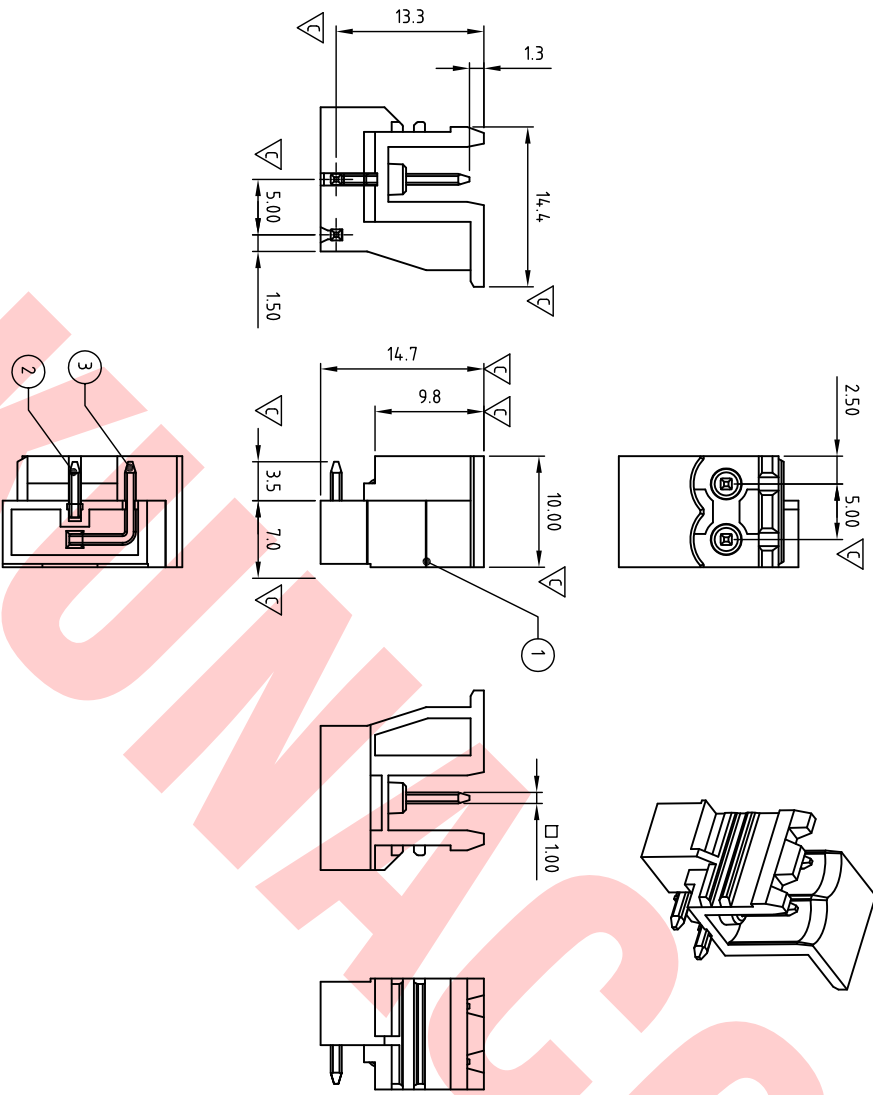


Transfer or duplication of this document as well as the utilisation or communication of its content are not permitted unless express consent is granted. Violations give rise to claims for damages. All rights reserved in case of patent, utility model or design patent registrations.



Technical data

- 1.Nominal voltage: 300V/15A
PITCH:5.00mm
 - 2.Insulation Withstands Voltage:
AC 1600V/MIN
 - 3.Insulation Resistace:
1000MΩ or more at DC500V
 - 4.Using temperature range:-40°C ~115°C
 - 5.Soldering temperature range:250C ±10C /5sec
 - 6.Safety approval:
 - 7.RoHS Compliance
 - 8.Critical dimension:
- HDAL50002 x xxx
 ① Color
 0 Black 3 Orange 5 Green 6 Blue.....
 ② Custom
 000 K MARK 00K KUNACON MARK.....

3	PIN-02	COPPER	TIN PLATED	1
2	PIN-01	COPPER	TIN PLATED	1
1	BODY	PA66 UL94V-0		1

ITEM	NAME OF PART	MATERIAL	NOTES
DWG	Marvin Zhang	DATE	2017.10.16
CHK	Marvin Zhang	DATE	2017.10.16
APP		DATE	

TITLE:	HD-AL500 Series 2P Header
PART NO.:	HDAL50002xxxx
DWG NO.:	HD-AL500-B001

UNITS:	MM	SHEET:	1 OF 1	Tolerance
SCALE:	NONE 2:1 (.)	REV.:	A	±0.50
				±0.30
				±0.10
				±1°

△	SIGN	DESCRIPTION	CHK	DATE
---	------	-------------	-----	------

KUNA Contact Technology Co., Ltd
<http://www.kunacon.com>