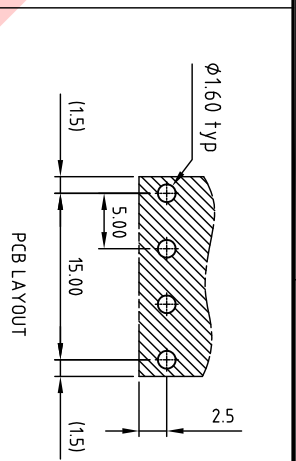
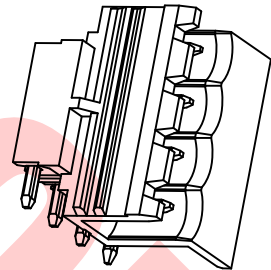
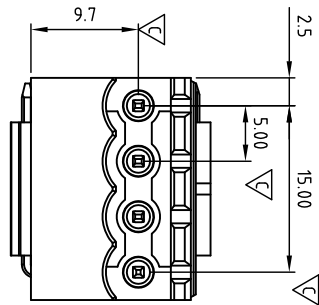
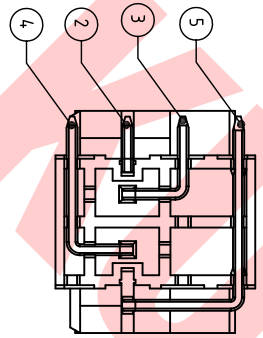
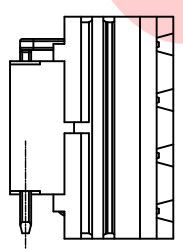
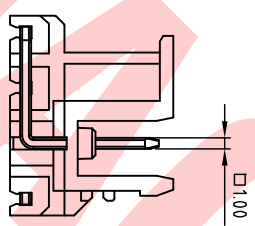
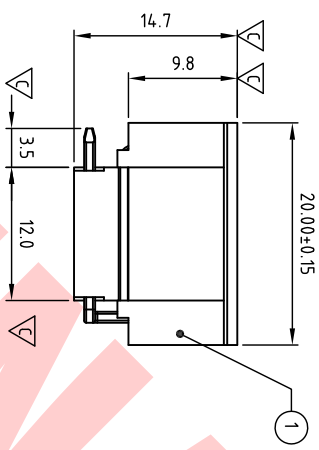
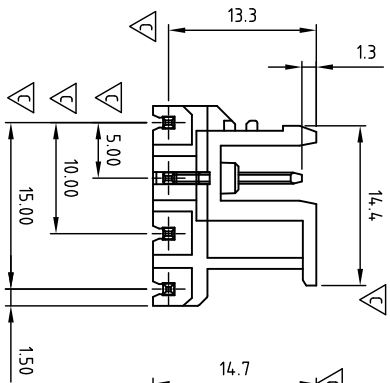


Transfer or duplication of this document as well as the utilisation or communication of its content are not permitted unless express consent is granted. Violations give rise to claims for damages. All rights reserved in case of patent, utility model or design patent registrations.



Technical data

- 1.Nominal voltage: 300V/15A  
PITCH:5.00mm
  - 2.Insulation Withstands Voltage:  
AC 1600V/MIN
  - 3.Insulation Resistace:  
1000MΩ or more at DC500V
  - 4.Using temperature range:-40℃ ~115℃
  - 5.Soldering temperature range:250℃±10℃/5sec
  - 6.Safety approval:
  - 7.RoHS Compliance
  - 8.Critical dimension:
- HDAL50004 x xxx  
① ②
- ① Color
  - 0 Black 3 Orange 5 Green 6 Blue.....
  - ② Custom
  - 000 K MARK 00K KUNACON MARK.....



5	PIN-05	COPPER	TIN PLATED	1
4	PIN-03	COPPER	TIN PLATED	1
3	PIN-02	COPPER	TIN PLATED	1
2	PIN-01	COPPER	TIN PLATED	1
1	BODY	PA66 UL94V-0		1

DWG: Marvln Zhang		DATE: 2017.10.16	UNITS: MM	SHEET: 1 OF 1	Tolerance
CHK: Marvln Zhang		DATE: 2017.10.16	SCALE: NONE 2:1 (.)	REV: A	X ±0.50 XXX ±0.30 X* ±0.10 X* ±1*
TITLE: HD-AL500 Series 4P Header "PCB on the Left"					
PART NO. HDAL50004xxxx					
DWG NO. HD-AL500-B003					

△	SIGN	DESCRIPTION	CHK	DATE
---	------	-------------	-----	------



KUNA CONTACT TECHNOLOGY CO., LTD  
http://www.kunacon.com