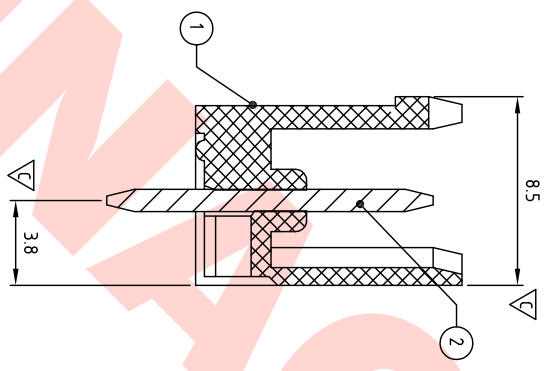


RECOMMENDED PCB LAYOUT



Technical data

- 1.Nominal voltage: 300V/15A (IEC 320V/12A) PITCH:5.0mm
- 2.Insulation Withstands Voltage: AC 1600V/MIN / AC 2500V/MIN
- 3.Insulation Resistace: 1000M Ω or more at DC500V
- 4.Using temperature range:-40C° ~115C°
- 5.Soldering temperature range:250C° \pm 10C°/5sec
- 6.Safety approval:
- 7.RoHS Compliance
- 8.Critical dimension:
- 9.Undimensioned Tolerances:

Dim.L=P \times 5.0	Dim B	Dim L
Dim.B=(P-1) \times 5.0	± 0.15	± 0.20
P = number of poles 2-24P	over 30mm-60mm	± 0.25
	over 60mm-90mm	± 0.30
	over 90mm	± 0.40

- HAAV500 XX X XXX
 ① Poles 02-24
 ② Color
 0 Black 3 Orange 5 Green 6 Blue.....
 ③ Custom
 000 K MARK 00K KUNACON MARK.....

2	PIN	BRASS	TIN PLATED	P
1	BODY	PA66 UL94V-0		1

ITEM	NAME OF PART	MATERIAL	NOTES	QTY
DWG	WF: Zhang	DATE 2016.03.10	UNITS: MM	SHEET: 1 OF 1
CHK	WF: Zhang	DATE 2016.03.10	SCALE: NONE 3:1 (.)	REV: A
APP	Marvin Zhang	DATE 2016.03.31	TITLE: HA-AV500 Series open type Vertical (180D)	X X X X
PART NO.	HAAV500xxxxxx	PART NO.	HAAV500xxxxxx	X ⁺
DWG NO.	HAA-500-B001	DWG NO.	HAA-500-B001	$\pm 1^{\circ}$

SIGN	DESCRIPTION	CHK	DATE



KUNA CONTACT TECHNOLOGY CO., LTD
<http://www.kunacon.com>