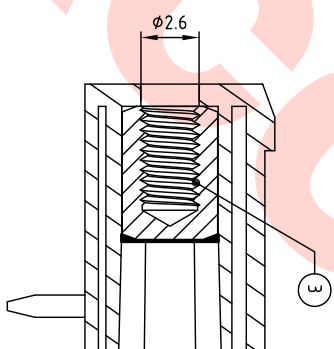
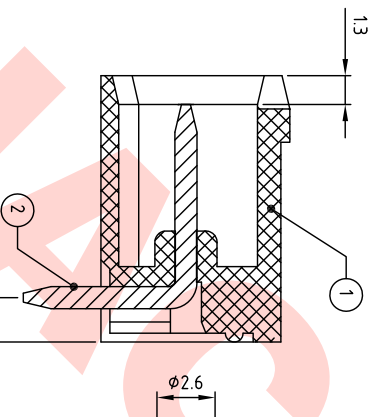


RECOMMENDED PCB LAYOUT



Technical data

- 1 Nominal voltage: 300V/15A (IEC 320V/12A) PITCH:5.0mm
- 2 Insulation Withstands Voltage: AC 1600V/MIN / AC 2500V/MIN
- 3 Insulation Resistance: 1000M Ω or more at DC500V
- 4 Using temperature range: -40C° ~ 115C°
- 5 Soldering temperature range: 250C° \pm 10C°/5sec
- 6 Safety approval:
- 7 RoHS Compliance
- 8 Critical dimension:
- 9 Undimmed stoned Tolerances:

Dim L=(P-2)x5.0 Dim B=(P-1)x5.0 P = number of poles 2-24P	Dim B	Dim L
0-30mm	± 0.15	± 0.20
over 30mm-60mm	± 0.20	± 0.25
over 60mm-90mm	± 0.25	± 0.30
over 90mm	± 0.30	± 0.40

HACH500 xx X xxx

- ① Poles 02-24
- ② Color
- 0 Black 3 Orange 5 Green 6 Blue.....
- ③ Custom
- 000 K MARK 00K KUNACON MARK.....

3	FLANGE NUT	BRASS	TIN PLATED	2
2	PIN	BRASS		P
1	BODY	PA66 UL94V-0		1

ITEM	NAME OF PART	MATERIAL	NOTES
DWG	WF. Zhang	DATE 2016.03.10	UNITS: MM SHEET: 1 OF 1
CHK.	WF. Zhang	DATE 2016.03.10	SCALE: NONE 4:1 (:) REV.: A
APP.	Marvin Zhang	DATE 2016.03.31	TITLE: HA-CH500 Series W/Flange
			type Right-angle (90D)
			PART NO. HACH500xxxxxx
			DWG NO. HA-C500-B002

APPROVAL	SIGN	DESCRIPTION	CHK.	DATE



KUNA CONTACT TECHNOLOGY CO., LTD
http://www.kunacon.com

