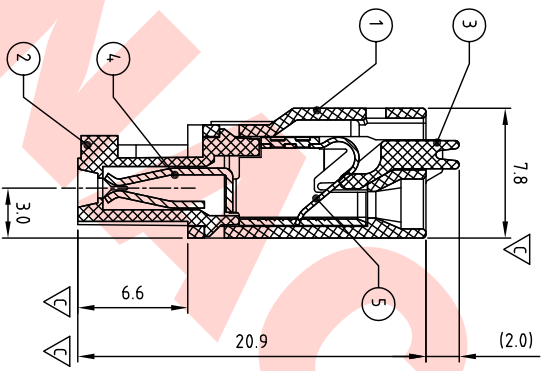


2p to 6p with wedge, above 7p without wedge (including 7p)

φ1.20



Technical data

- 1. Nominal voltage: 150V/8A
- PITCH: 3.5mm
- 2. Connection capacity: AWG 24-16
- 3. Insulation Withstands Voltage: AC 1300V/MIN
- 4. Insulation Resistance: 1000MΩ or more at DC500V
- 5. Stripping length: 9-10mm
- 6. Using temperature range: -40C ~+15C
- 7. Undimentioned Tolerances:

Dim L=(P-1)x3.5+4.2	Dim B	Dim L
Dim B=(P-1)x3.5	±0.15	±0.20
P= number of poles	over 30mm-60mm ±0.20	±0.25
	over 60mm-90mm ±0.30	±0.30
	over 90mm ±0.30	±0.40

- 8. Safety approval:
- 9. RoHS Compliance
- 10. Critical dimension:
- PBSD350 XX X XXX
- ① Poles 02-24
- ② Color
- 0 Black 3 Orange 5 Green 6 Blue G Plae grey....
- ③ Custom
- 000 K MARK 00K KUNACON MARK....

5	WIRE GUARD	Stainless steel			P
4	CONTACT	BRONZE (PBZ)			P
3	LEVEL	PBT UL94V-0			P
2	COVER	PA66 UL94V-0			1
1	BODY	PA66 UL94V-0			1

DWG	WF. Zhang	DATE	2016.03.10	UNITS	MM	SHEET	1 OF 1	Tolerance
CHK	WF. Zhang	DATE	2016.03.30	SCALE	NONE 3:1 (.)	REV.	A	X ±0.50
APP	Marvin Zhang	DATE	2016.03.30	TITLE	PB-SD350 SERIES			
				PART NO.	PBSD350XXXXXX			
				DWG NO.	PB-S350-B001			

△	SIGN	DESCRIPTION	CHK	DATE
---	------	-------------	-----	------



KUNA Contact Technology Co. Ltd
http://www.kunacon.com

