

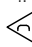
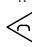
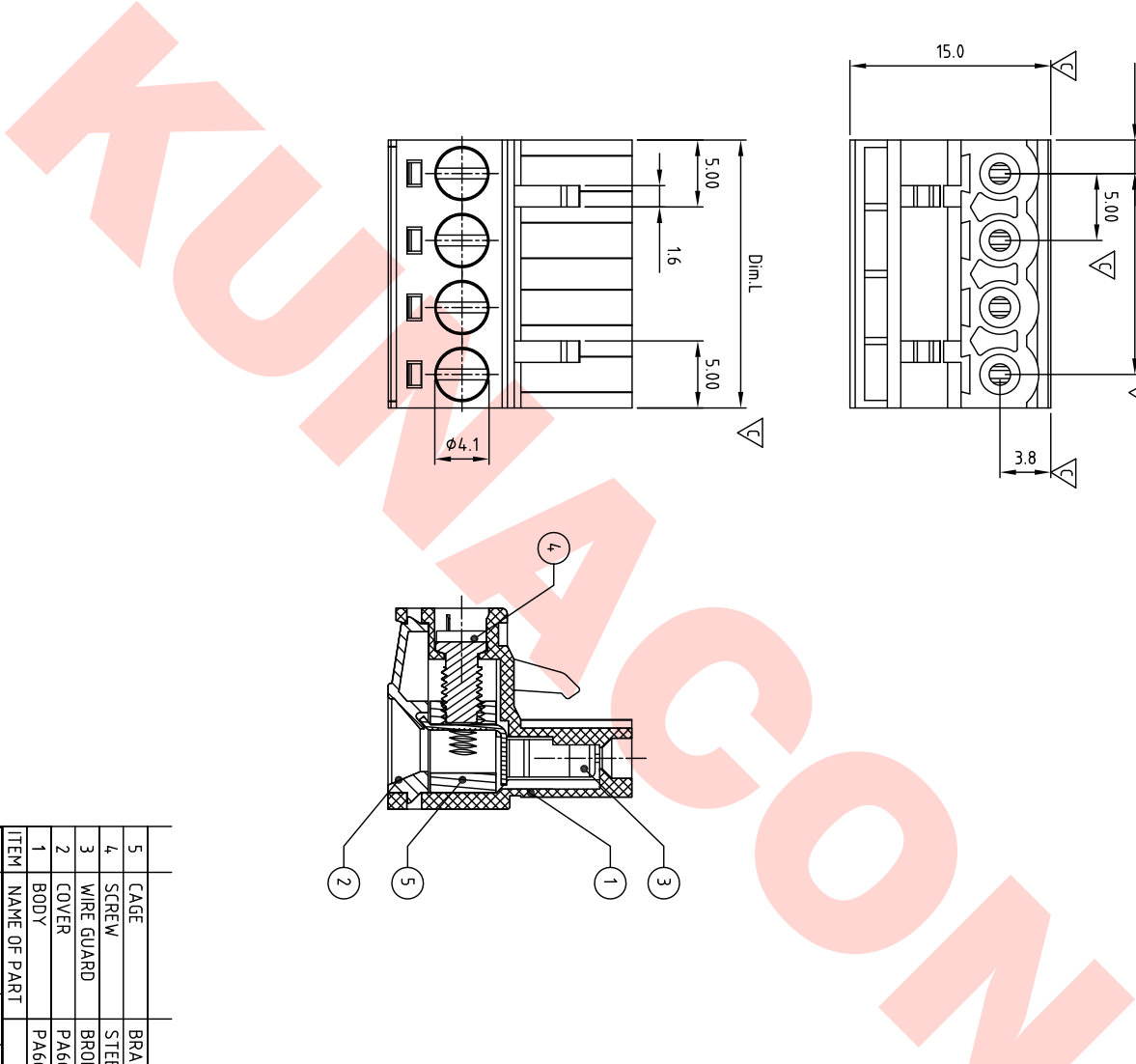


Technical data

- 1. Nominal voltage: 300V/15A (IEC 320V/12A) PITCH:5.0mm
 - 2. Connection capacity: AWG 30-12 (0.2-2.5mm²)
 - 3. Insulation Withstands Voltage: AC 1600V/MIN / 2500V/MIN
 - 4. Insulation Resistance: 1000M Ω or more at DC500V
 - 5. Tightening torque: 5.0kgf.cm (0.5N.m)
 - 6. Screw thread: M3
 - 7. Stripping length: 7-8mm
 - 8. Using temperature range: -40C ~115C°
 - 9. Undimensioned Tolerances:

Dim L=P \times 5.0	Dim B	Dim L
Dim B=(P-1) \times 5.0	±0.15	±0.20
P = number of poles	±0.20	±0.25
	±0.25	±0.30
	±0.30	±0.40
 - 10. Safety approval:  
 - 11. RoHS Compliance 
 - 12. Critical dimension: 
- MASD500 XX X XXX
 ① Poles 02-24
 ② Color
 0 Black 3 Orange 5 Green 6 Blue.....
 ③ Custom
 000 K MARK 00K KUNACON MARK.....



5	CAGE	BRASS	M3 0x0.5, Ni PLATED	P
4	SCREW	STEEL	M3 0x0.5, Zn Plated	P
3	WIRE GUARD	BRONZE (PbZ)	TIN PLATED	P
2	COVER	PA66 UL94V-0	ALL COLOR	1
1	BODY	PA66 UL94V-0	ALL COLOR	1

DWG	W.F Zhang	DATE	2016.03.10	UNITS	MM	SHEET	1 OF 1	Tolerance
CHK	W.F Zhang	DATE	2016.03.30	SCALE	NONE 2.5:1 (.)	REV.	A	±0.50
APP	Marvin Zhang	DATE	2016.03.30	TITLE	MA-SD500 Series "X" slot			±0.30
					Screw			±0.10
					PART NO.	MASD500XXXXXX		±1°
					DWG NO.	MA-S500-B001		

△	SIGN	DESCRIPTION	CHK	DATE

KUNACON Contact Technology Co, Ltd
<http://www.kunacon.com>