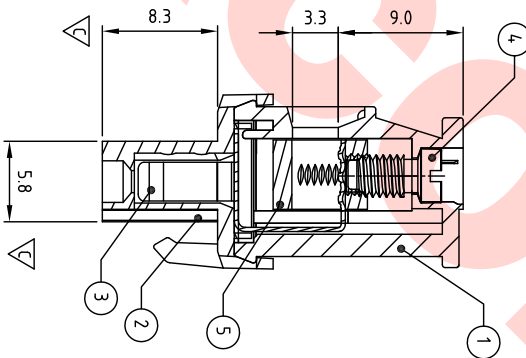
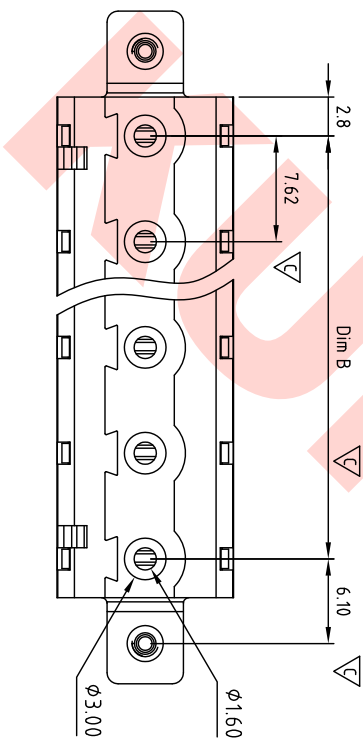
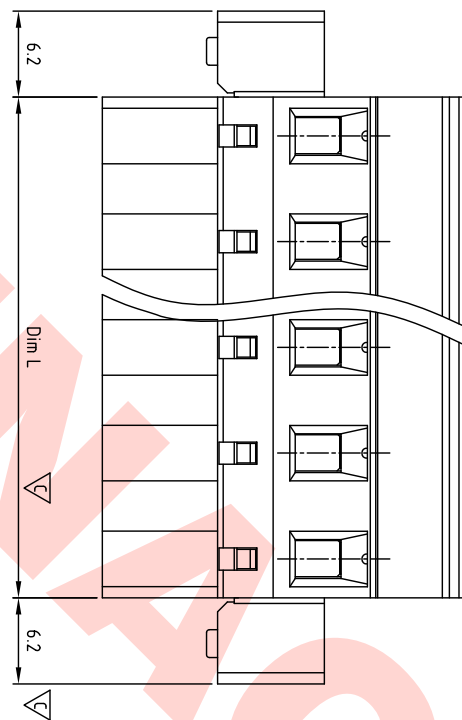
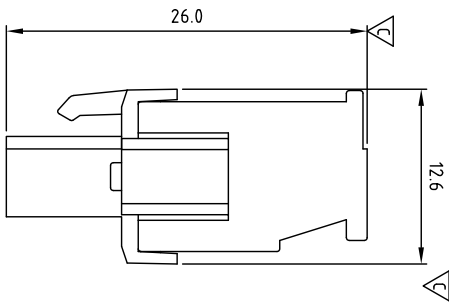
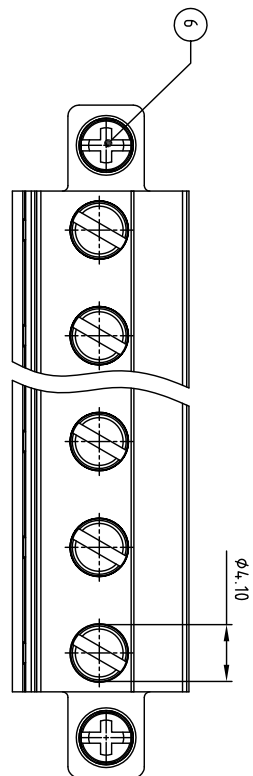


Transfer or duplication of this document as well as the utilisation or communication of its content are not permitted unless express consent is granted. Violations give rise to claims for damages. All rights reserved in case of patent, utility model or design patent registrations.



Technical data

1.Nominal voltage: 300V/15A

PITCH:7.62mm

2.Connection capacity:
AWG 30-12

3.Insulation Withstands Voltage:
AC 1600V/MIN

4.Insulation Resistance:
1000MΩ or more at DC500V

5.Tightening torque:
5.0kgf.cm (0.5N.m)

6.Screw thread: M3

7.Stripping length: 6-7mm

8.Using temperature range:-40C°-115C°

9.Undimensioned Tolerances:

Dim L=(P-1)×7.62+5.6	Dim B	Dim L
Dim B=(P-1)×7.62	±0.15	±0.20
P = number of poles	±0.20	±0.25
	±0.25	±0.30
	±0.30	±0.40
0-30mm		
over 30mm-60mm		
over 60mm-90mm		
over 90mm		

10.Safety approval:

11.RoHS Compliance

12.Critical dimension:

MBFW762 xx x xxx

① Poles 02-24

② Color

0 Black 3 Orange 5 Green 6 Blue 8 Gray.....

③ Custom
000 K-MARK 00K KUNACON MARK

6	FLANGE SCREW	STEEL
5	CAGE	BRASS
4	SCREW	STEEL
3	WIRE GUARD	BRONZE (PbZ)
2	COVER	PA66 UL94V-0
1	BODY	PA66 UL94V-0

DWG	WF. Zhang	DATE	2016.03.10	UNITS:	MM	SHEET:	1 OF 1	Tolerance
CHK.	WF. Zhang	DATE	2016.03.30	SCALE:	NONE 2.5:1 (.)	REV.:	B	±0.50
APP.	Marvin Zhang	DATE	2016.03.30	TITLE:	MB-FW762 Series "x" slot			
PART NO.	MBFW762xxxxxx							
DWG NO.	MB-F762-B002							
SIGN								
DESCRIPTION	KUNA Contact Technology Co. Ltd http://www.kunacon.com							
CHK.								
DATE								