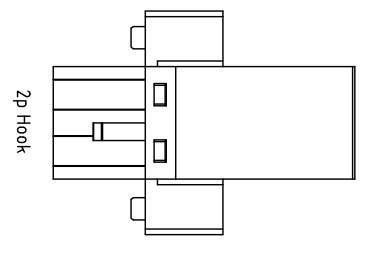
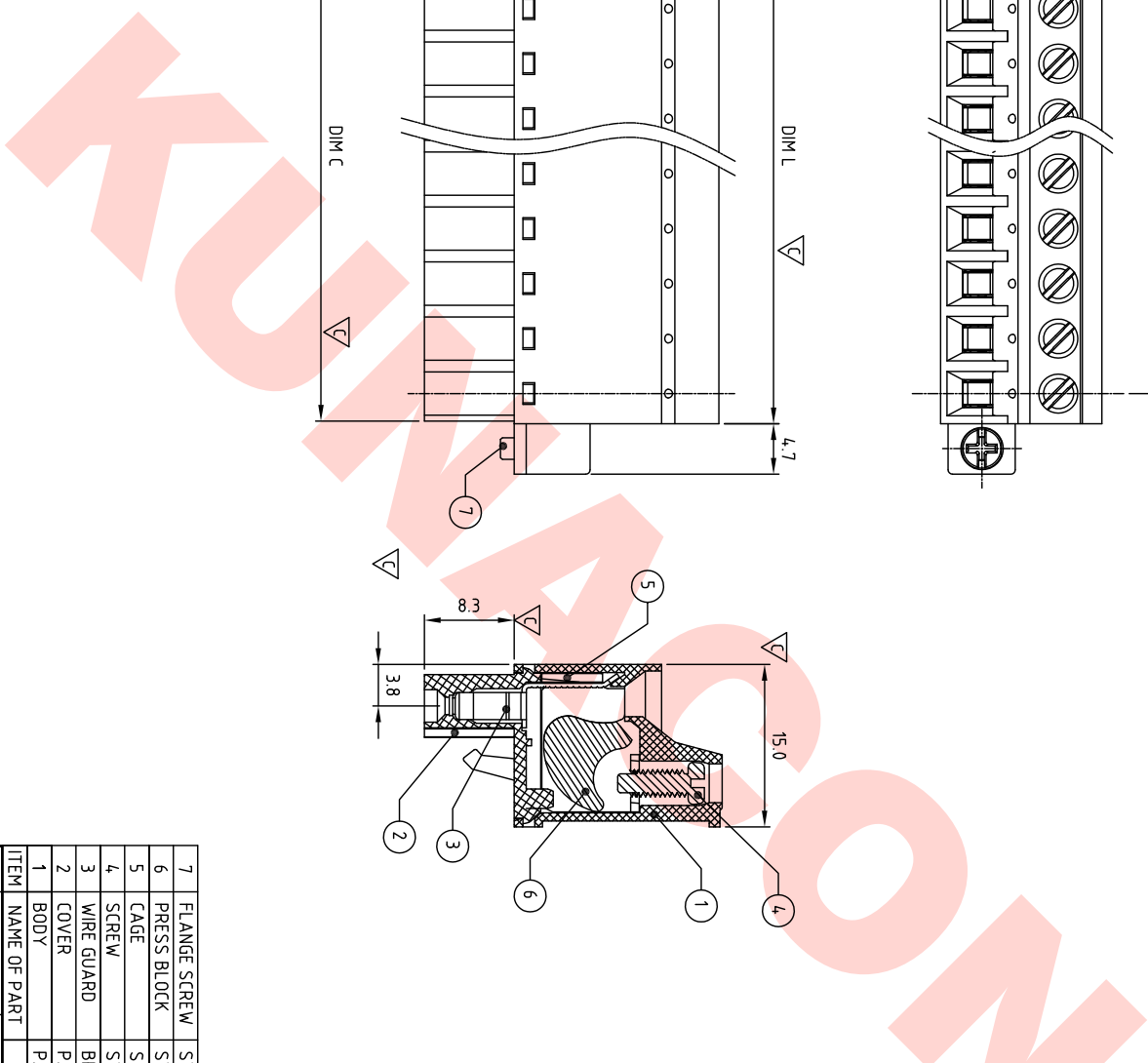


Technical data

- 1 Nominal voltage: 300V/15A
PITCH: 5.08mm
 - 2 Connection capacity:
AWG 30-12
 - 3 Insulation Withstands Voltage:
AC 1600V/MIN
 - 4 Insulation Resistance:
1000M Ω or more at DC500V
 - 5 Tightening torque:
4.3 Lb-in (0.5N.m/5.0kgf.cm)
 - 6 Screw thread: M2.5
 - 7 Stripping length: 8-9mm
 - 8 Using temperature range: -40C \circ -115C \circ
 - 9 Undimentioned Tolerances:
Dim L = P \times 5.08 \pm 0.4
Dim B = (P-1) \times 5.08
Dim C = P \times 5.08
P = number of poles
- | | Dim B | Dim L |
|----------------|------------|------------|
| 0-30mm | \pm 0.15 | \pm 0.20 |
| over 30mm-60mm | \pm 0.20 | \pm 0.25 |
| over 60mm-90mm | \pm 0.25 | \pm 0.30 |
| over 90mm | \pm 0.30 | \pm 0.40 |
- 10 Safety approval:
 - 11 RoHS Compliance
 - 12 Critical dimension:
- MCFD508 \times \times \times \times \times \times
 ① Poles 02-24
 ② Color
 0 Black 3 Orange 5 Green 6 Blue.....
 ③ Custom
 000 K MARK 00K KUNACON MARK.....



7	FLANGE SCREW	STEEL
6	PRESS BLOCK	STEEL
5	CAGE	STEEL
4	SCREW	STEEL
3	WIRE GUARD	BRONZE (PbZn)
2	COVER	PA66 UL94V-0
1	BODY	PA66 UL94V-0

ITEM	NAME OF PART	MATERIAL	NOTES
DWG	Marvin Zhang	DATE	2016.03.10
CHK	Marvin Zhang	DATE	2016.03.30
APP	Marvin Zhang	DATE	2016.03.30
TITLE	MC-FD508 Series " " slot		
PART NO.	MCFD508xxxxxx		
DWG NO.	MC-F508-B001		

SIGN	DATE	DESCRIPTION
CHK	DATE	DESCRIPTION

